

AG90-SERIES

ELECTROMAGNETIC INSERTION FLOW METER



APPLICATIONS

Irrigation
Agricultural automation
Reuse/Reclaim water
Surface water
Fertigation/Chemigation
Well usage monitoring
Propeller meter replacement

Features

- Direct replacement for propeller meter
- No bearings to rebuild
- Less pipe obstruction
- No moving parts
- Durable
- Easy to install
- No routine maintenance
- Pulse Output Standard
- 4 year battery life

The **AG90-series** battery powered, insertion electromagnetic flow meter is designed for use with conductive fluids in 4"–12" pipe. The AG90's stainless steel body allows the meter to operate in a wide range of temperatures, pressure, and corrosive or dirty environments.

The AG90 is highly suitable for difficult applications. With no moving parts, over-run conditions will not degrade the life of the AG90. It is resistant to wear from debris found in surface or ground water and there are no bearings to wear out or propellers to damage.

Rate and total units can be set via the front panel touch key pad by the user. Bidirectional flow is standard with totals available in forward, reverse, net, batch forward and batch reverse.

The AG90 is battery powered and an output cable is available for transmitting the pulse signal to remote devices. The AG90 includes a Seametrics saddle which has been designed to accommodate a wide range of pipe sizes and types while ensuring correct placement in the pipe. In addition, an optional internal data logger allows local storage of flow history.

Contact Your Supplier



Free battery replacement at year four with warranty registration!

Specifications*

Pipe Size		4" to 12"				
Materials	Sensor Body	316 SS				
	Electrodes	Hastelloy				
	Housing	Powder-coated diecast aluminum				
	Electrode Cap	PVDF (Kynar®)				
	O-Ring	EPDM				
Temperature	Ambient Temperature	0° to 160° F (-17° to 72° C)				
	Fluid Temp.	32° to 200° F (0° to 93° C)				
Pressure		200 psi (14 bar)				
Flow Rate		0.5 - 4.5 m/sec (1.64 - 14.8 ft/sec) (Low flow cutoff .15 m/sec; .49 ft/sec)				
Calibration Accuracy	0.5 - 4.5 m/s (1.64-14.76 ft/sec)	+/- 2% of reading				
	0.3 - 0.5 m/sec (0.98 - 1.64 ft/sec)	+/- (2% of reading + 0.25% of full scale)				
Display	Type	128x64 dot-matrix LCD				
	Digits	5 Digit Rate		8 Digit Total		
	Units	Rate Volume Units	Rate Time Units	Total Volume Units		
	<i>Please Note: All meters are factory set for gallons per minute (GPM) rate and acre foot total. If other units are required, they can be set in the field.</i>	Gallons Liters Barrels (42 gallons) Cubic Feet Cubic Meters Million Gallons ¹ Mega Liters ¹ Imperial Gallons Million Imperial Gallons ¹	Second Minute Hour Day	Gallons Gallons x 10 Gallons x 100 Gallons x 1000 Million Gallons Liters Kilo Liters Mega Liters Barrels (42 gallons) Cubic Meters	Cubic Meters x 1000 Cubic Feet Cubic Feet x 1000 Million Cubic Feet Imperial Gallons Imperial Gallons x 1000 Million Imperial Gallons Acre Inch Acre Foot Fluid Ounce	
	Bidirectional	Forward Total, Reverse Total, Net Total, Batch Forward, Batch Reverse				
Power		One lithium 7.2V 'D' size battery pack, replaceable.				
Scaled Pulse Output	Signal	Current sinking pulse, isolated, 36 Vdc at 10 mA max				
	Pulse Rates	User-scalable from 0.1 to 99,999.9 volume units/pulse. Pulse width varies with output frequency, 150 pulses/sec max				
Cable	Optional Output Cable	20ft (6m) standard length polyurethane jacketed cable—for power and outputs. (Lengths up to 200' (60 m) available.)				
Conductivity		>20 microSiemens/cm				
Empty Pipe Detection		Hardware/software, conductivity-based				
Regulatory		CE (EN 61326) Pending				
Environmental		IP67				

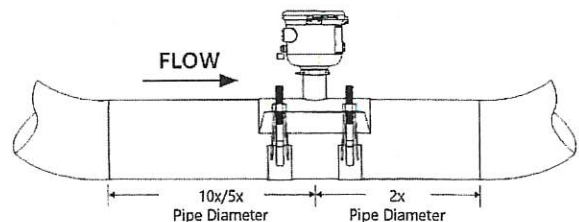
* Specifications subject to change. Please consult our website for the most current data (seametrics.com).

¹ Rate Time Unit is available in Day only.

Kynar is a registered trademark of Arkema, Inc.

Flow Range*

Nominal Pipe Size	4"	6"	8"	10"	12"
Low Flow Cutoff GPM	19.3	43.11	77.1	120.5	173.5
Low Flow Cutoff LPS	1.22	2.72	4.86	7.6	10.95
Min GPM	64.3	144.6	257	401.6	578.3
Min LPS	4.1	9.1	16.2	25.3	36.5
Max GPM	578	1301	2313	3614	5204
Max LPS	36.5	82.1	145.9	228	328.3

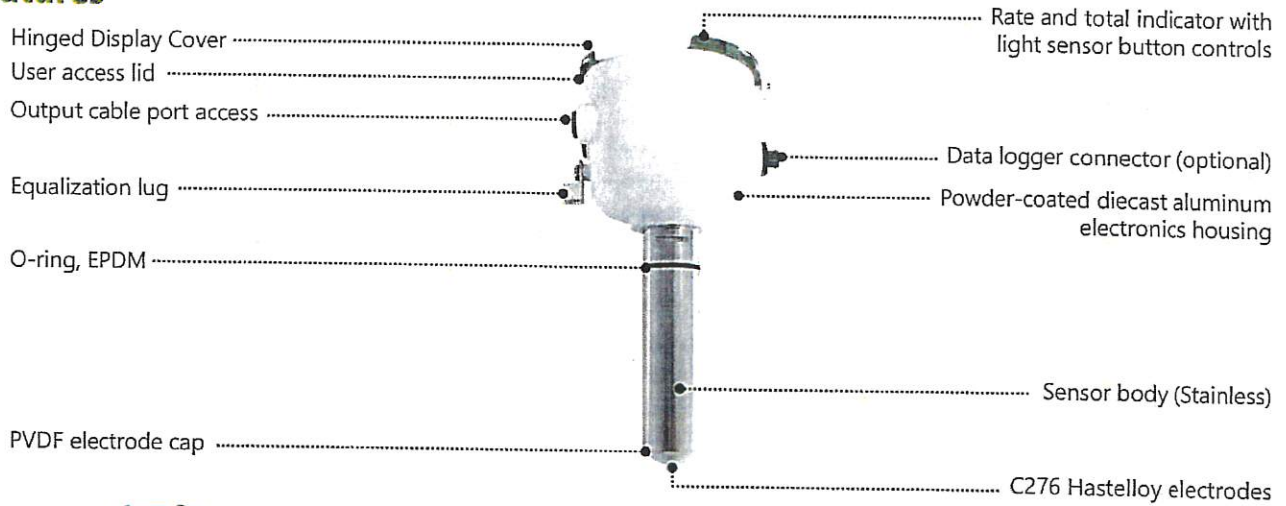


Minimum straight pipe selected during setup

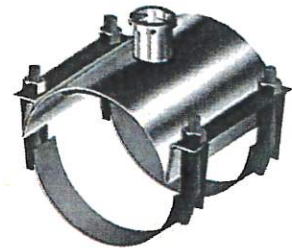
AG90-SERIES
ELECTROMAGNETIC INSERTION
FLOW SENSOR



Features



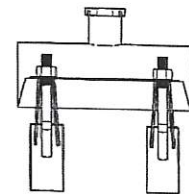
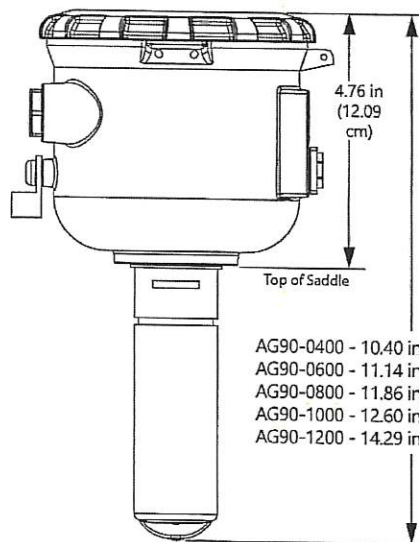
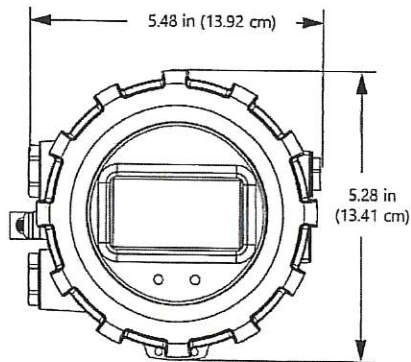
- Battery Powered
- Bidirectional Flow Reading
- Pulse Scaled Output
- Built-in Data Logger (Optional)



Saddle Included

Quickly and easily change Total Volume Units, Flow Rate Units, Pulse Output Scaling, and many other settings using the two light sensor button controls on the display panel.

Dimensions



Each saddle has a range of actual pipe size O.D. that it will work with. When you order your meter, you will specify the nominal pipe size and the saddle provided will work with the following actual pipe O.D.

Saddle Size	Range
4"	4.00" - 4.90"
6"	6.00" - 6.90"
8"	8.00" - 9.05"
10"	10.10" - 11.10"
12"	12.10" - 13.20"

